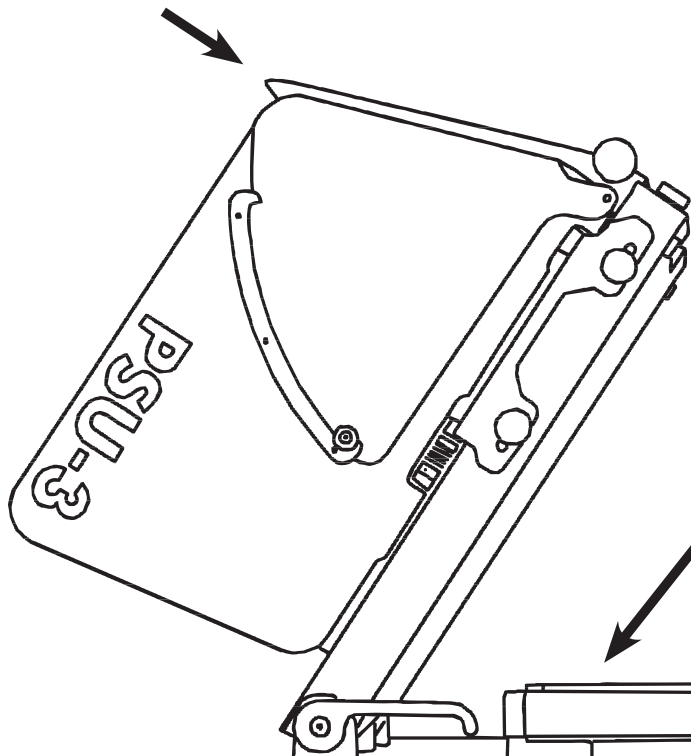
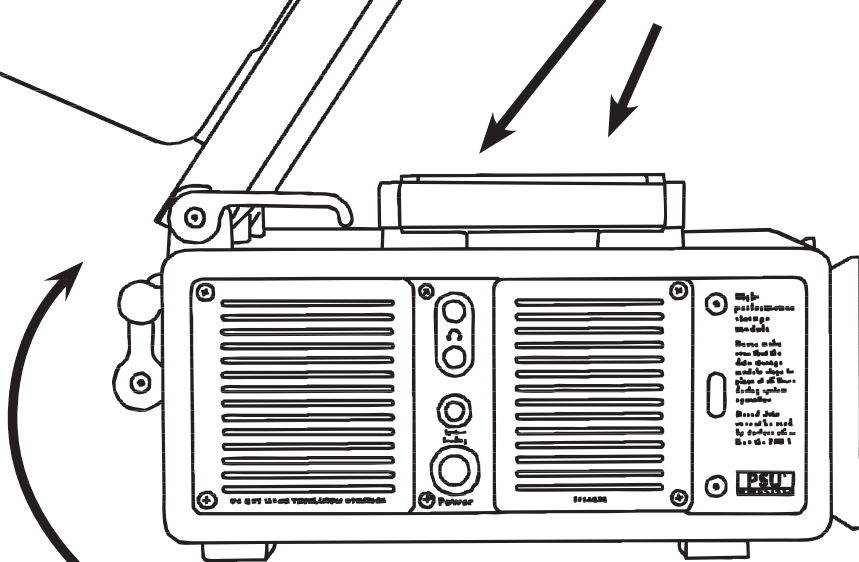


# How to attach the PSU-3 rain cover

**1.** start at the sunshade



**2.** put in position around handles



**3.** wrap around, close at the front

