

HYDROHEAD UNDERWATER CAMERA SYSTEM

The HydroHead is a waterproof remote pan and tilt head. It is the perfect compliment to our RemoteAquaCams. The HydroHead's light weight and low profile, combined with the tubular hydrodynamics of the RemoteAquaCams, allow this system to glide through the water with less resistance than anything currently available.

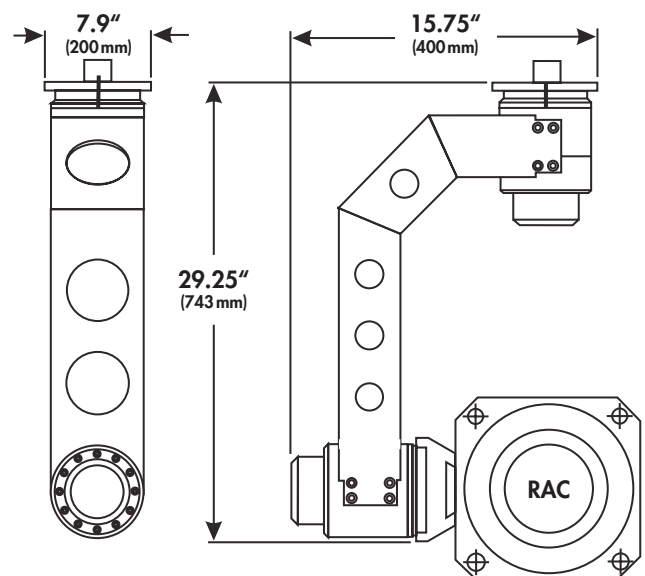
Our 2-axis analog head uses underwater mateable connectors and is depth rated to 30 m. An optional "L" bracket allows mounting a standard Arri or Panavision camera package in one of our Scubacam Splash Bags for surface wet work.

The HydroHead system uses reinforced Power Pod electronics and offers operator familiarity and years of dependable, in the field experience.

A dovetail balance plate is built into the tilt rotator to accommodate a wide variety of prime and zoom lenses, and a large selection of camera combinations and Splash Bags can be fitted for above water shooting in wet situations.



Hydroflex®	Hydrohead
Weight in air	23.5 kg
Weight in saltwater	20.5 kg
Operating depth	50m
Power required	230 V Mains Power or 2x 24 Volts Battery Power



Further detailed information on our website www.vantagefilm.com (underwater section)